

FIG. 1 OF 2

+

1/23

42

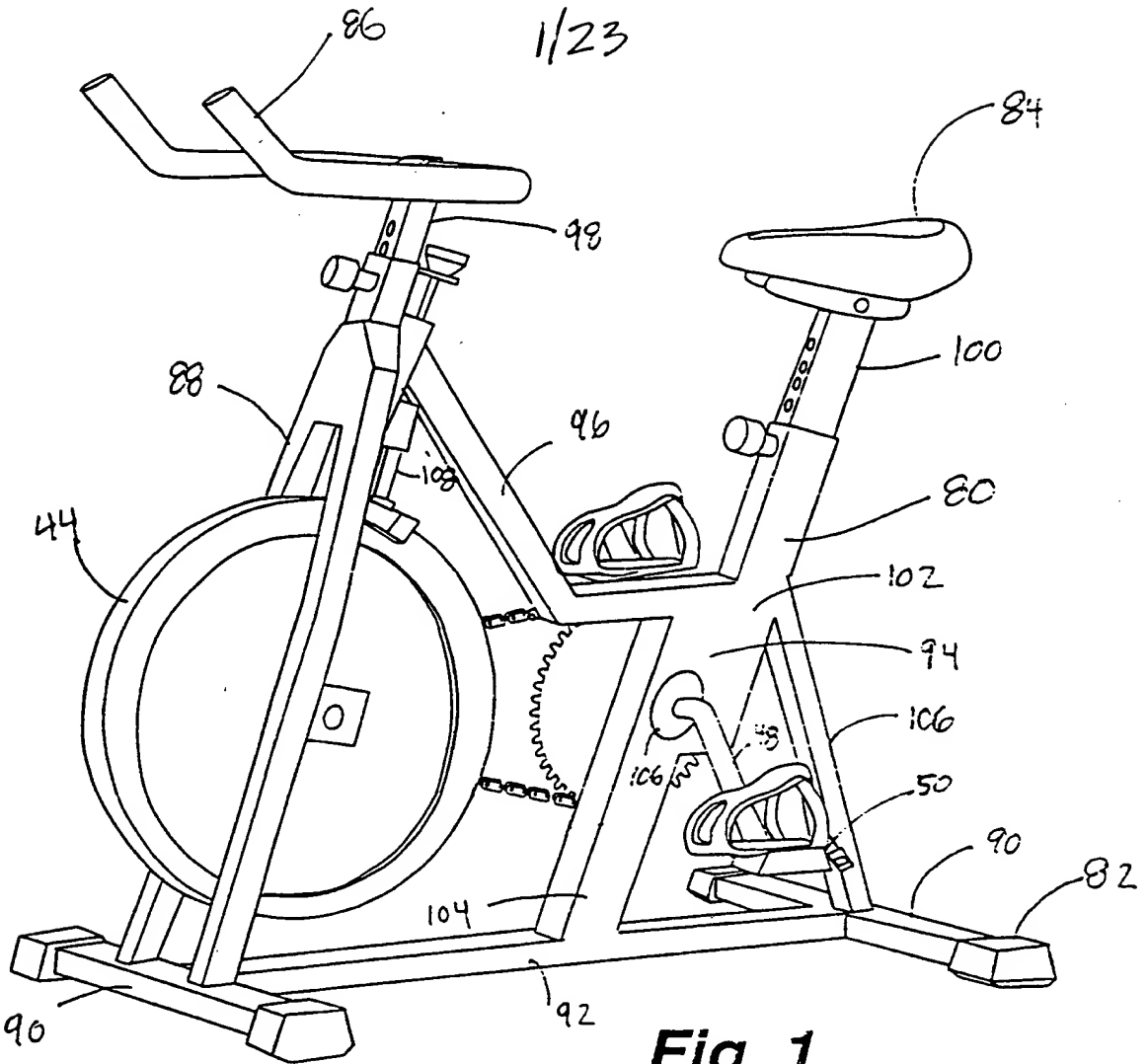


Fig. 1

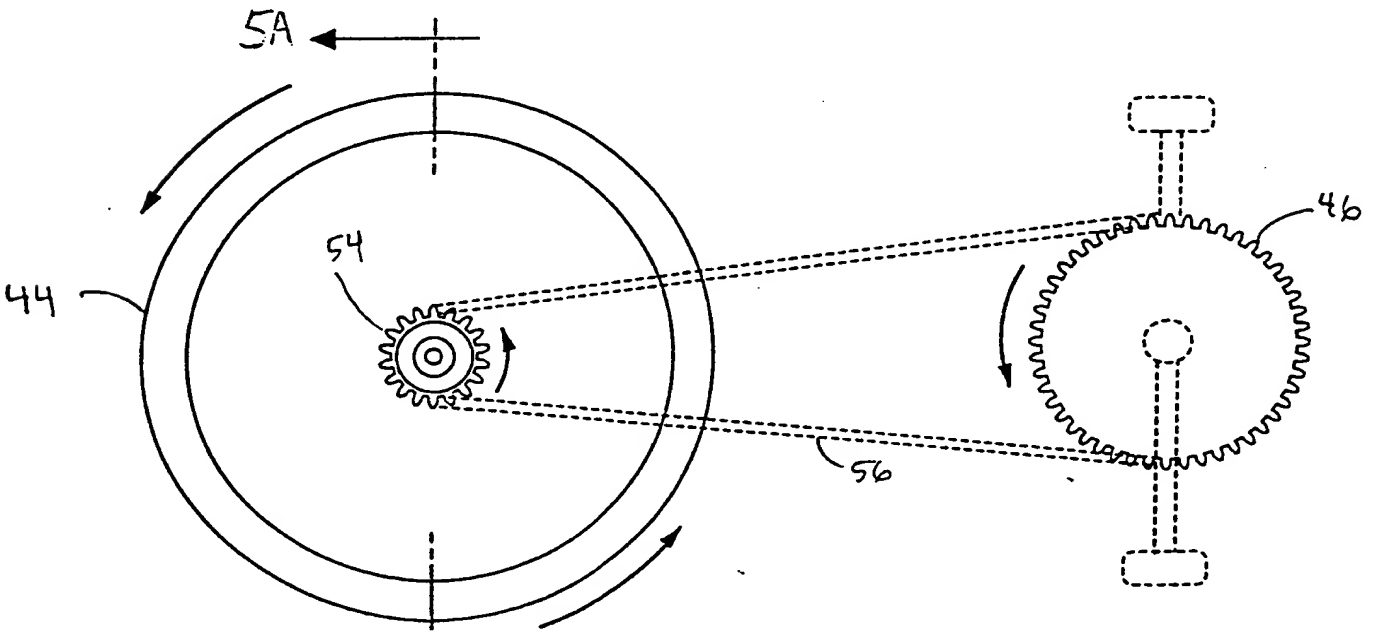


Fig. 2

⊥

FIG. 4 OF 9,000,000

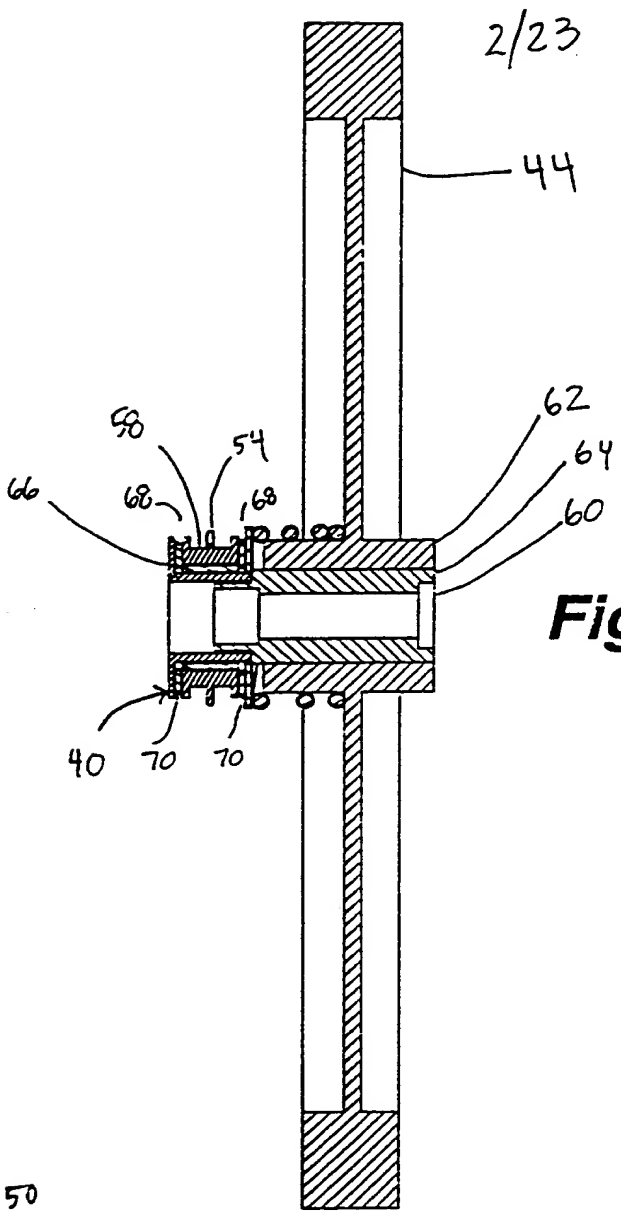


Fig. 4

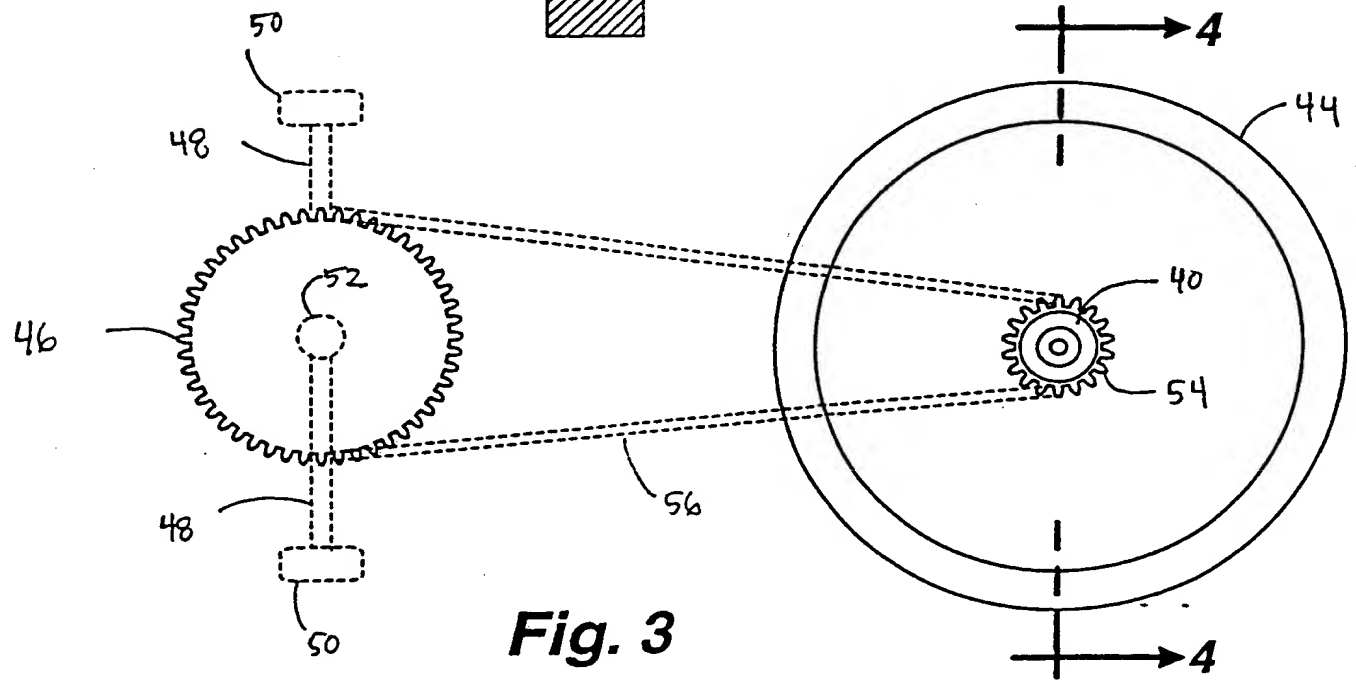


Fig. 3



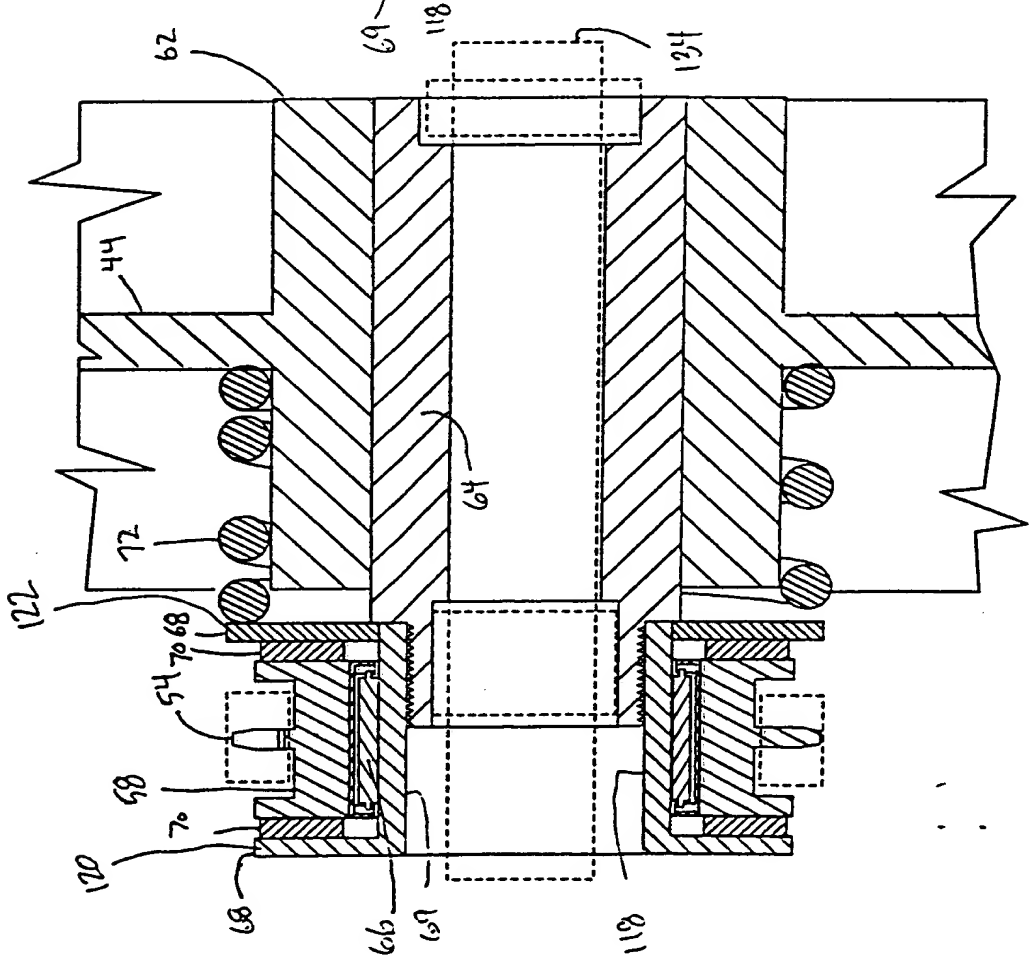


Fig. 5A

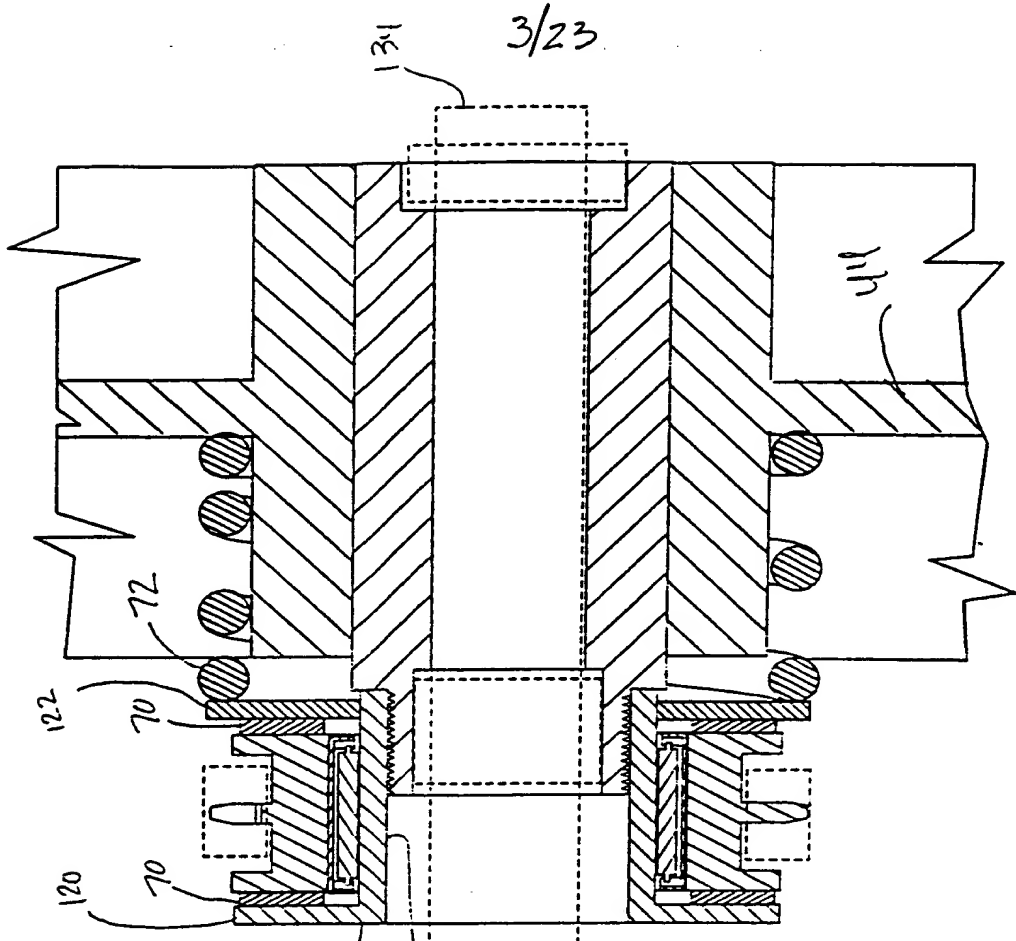


Fig. 5B



4/23

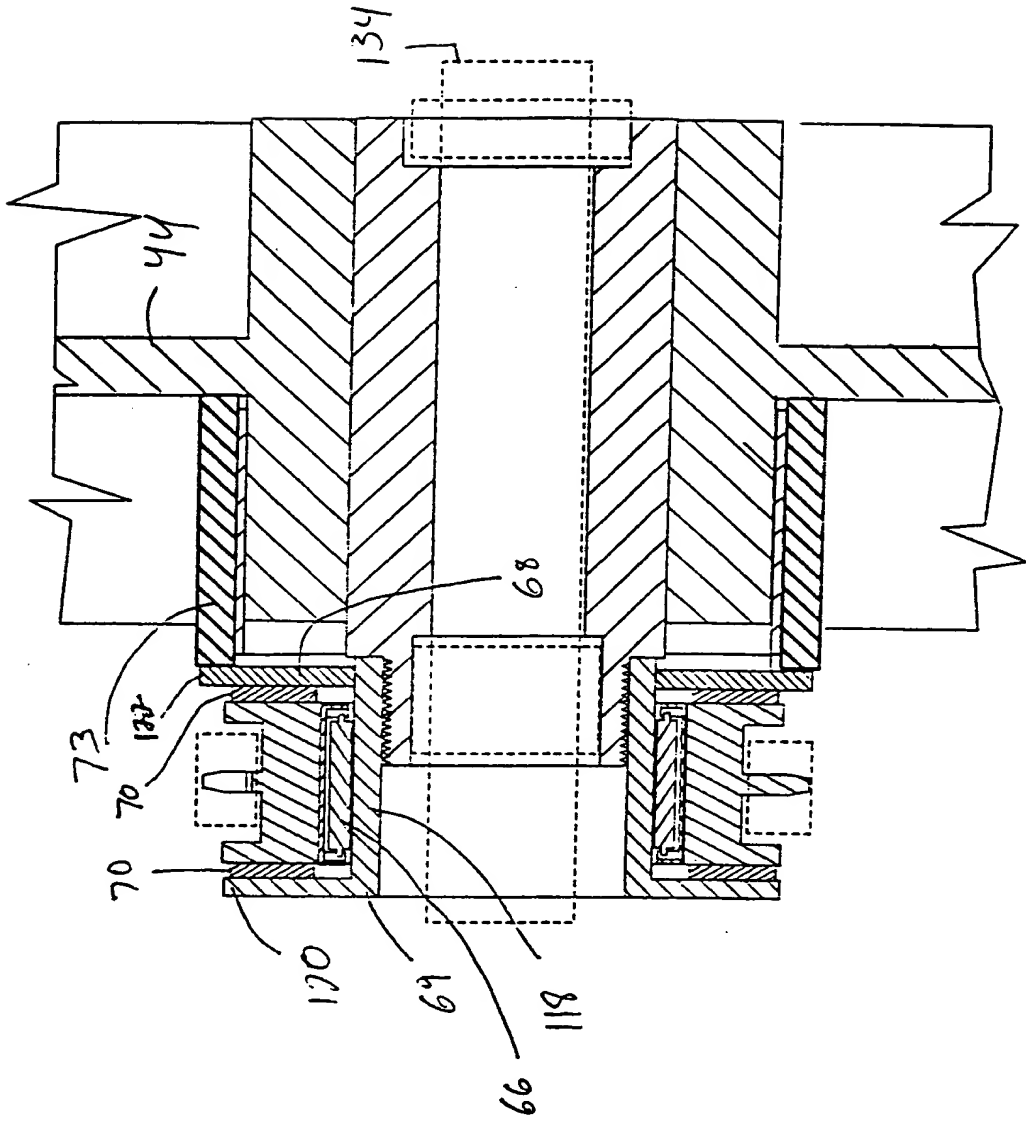


Fig. 5C

TABLE OF SHEETS

+

5/23

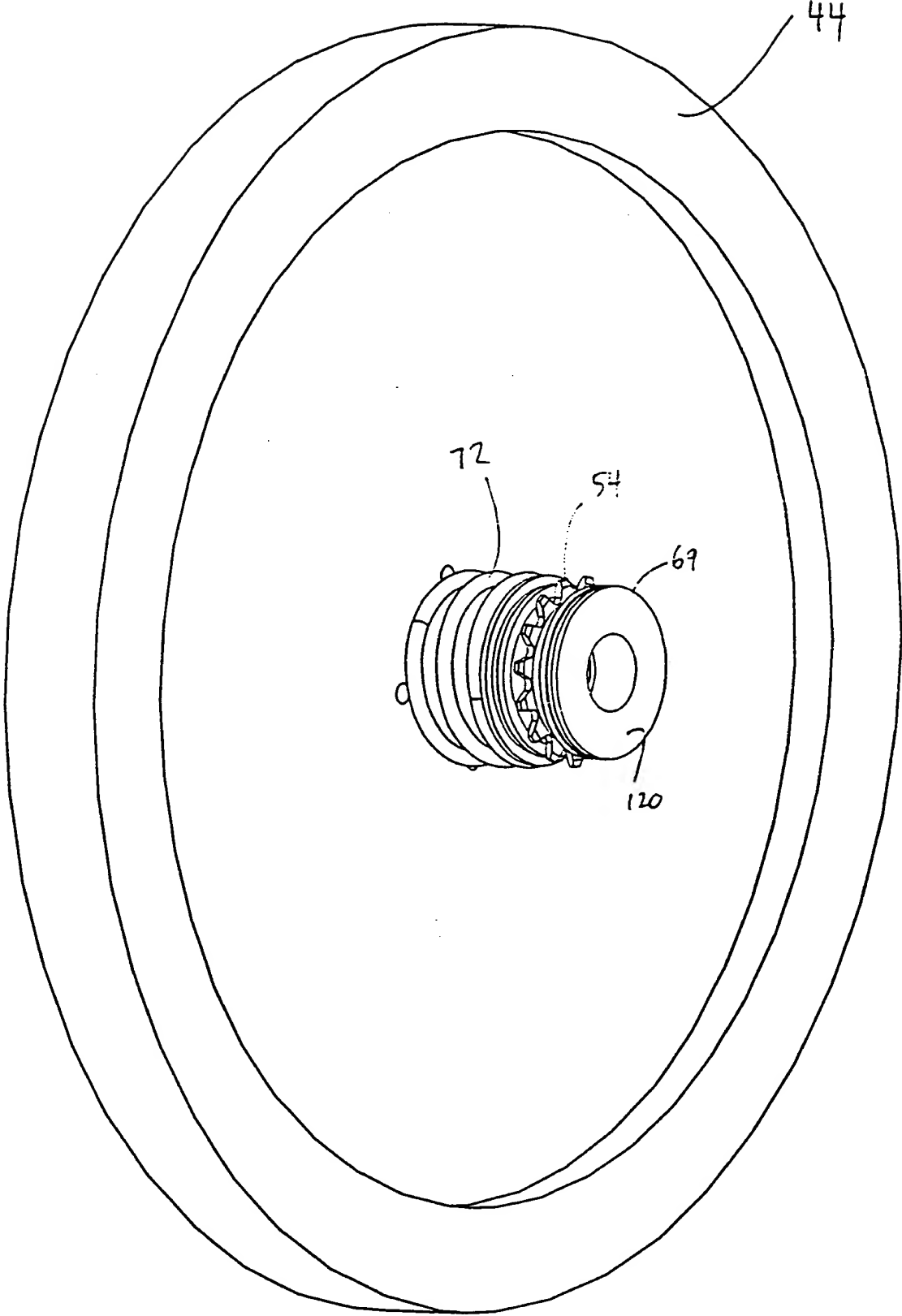


Fig. 6

⊥



6/23

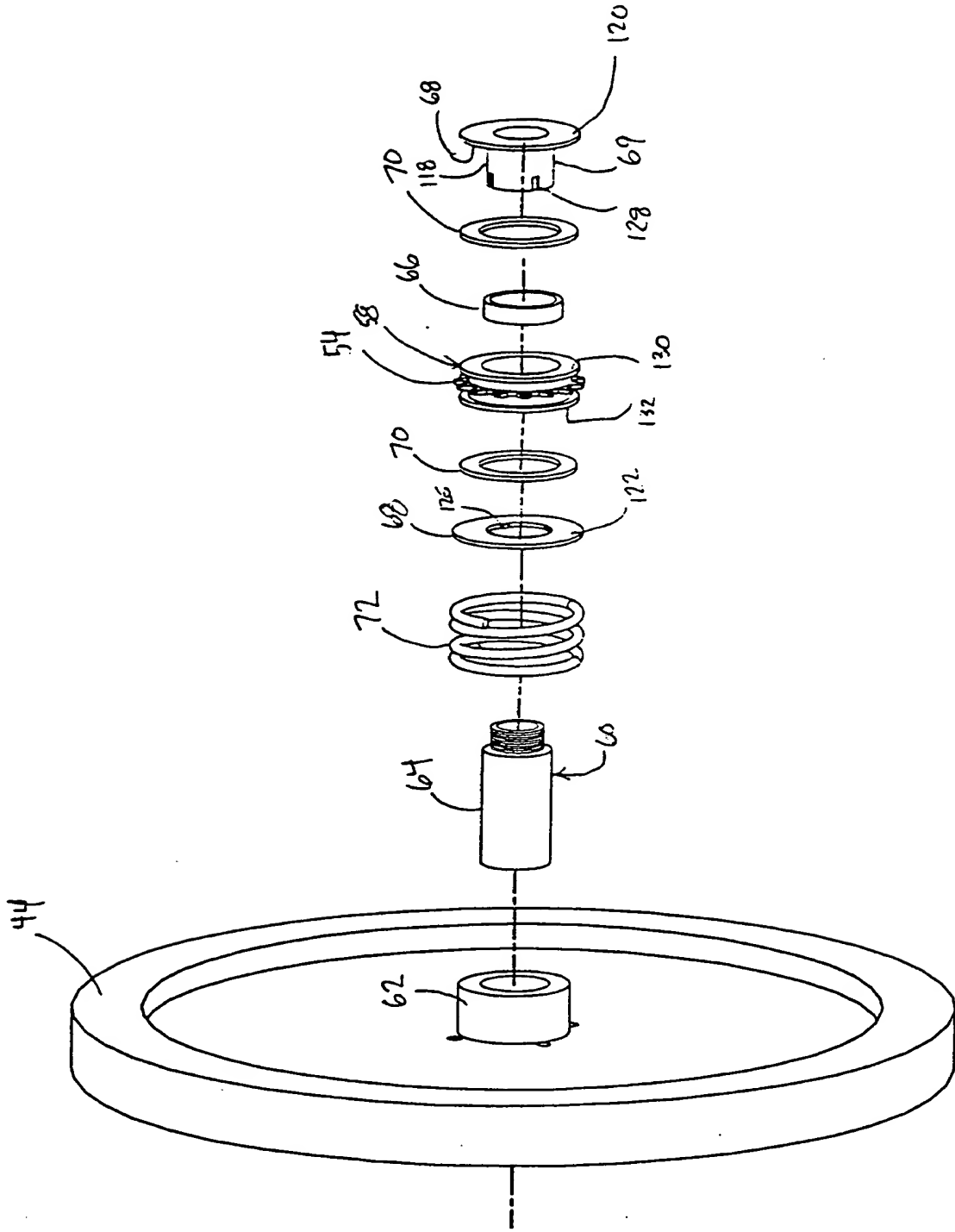


Fig. 7



+

7/23

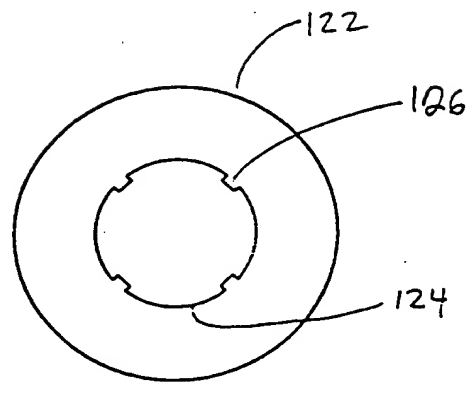


Fig. 8

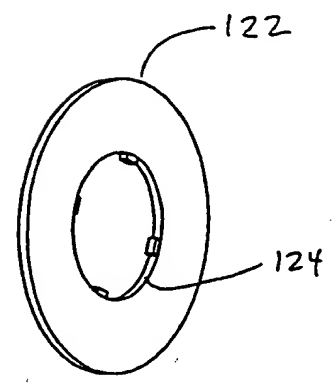


Fig. 9

FOOTNOTES

⊥

+

8/23

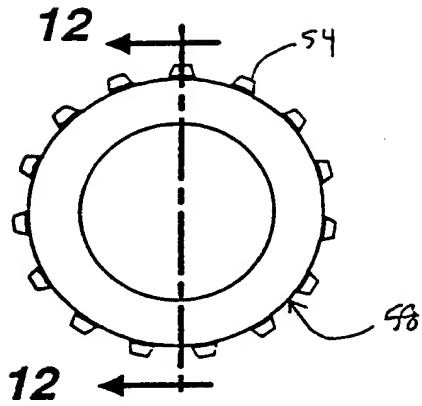


Fig. 10

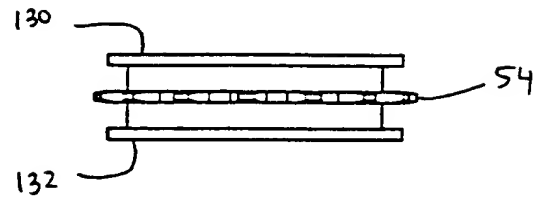


Fig. 11

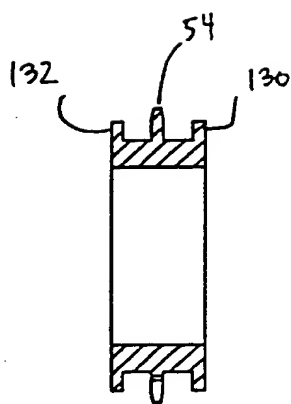


Fig. 12

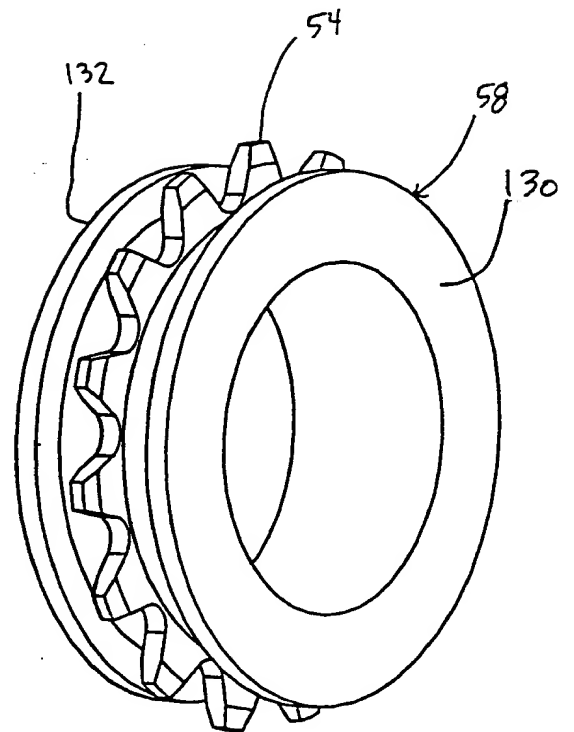


Fig. 13

FIGURE 10

⊥

+

9/23

Fig. 14

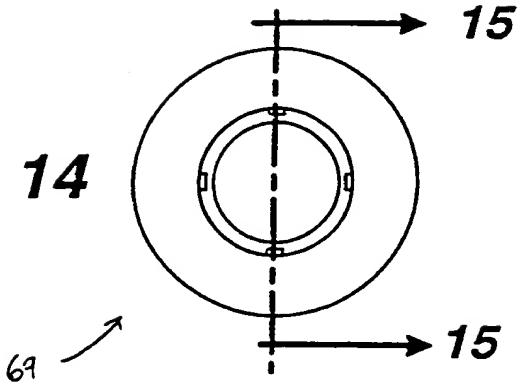


Fig. 15

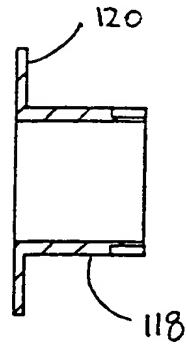
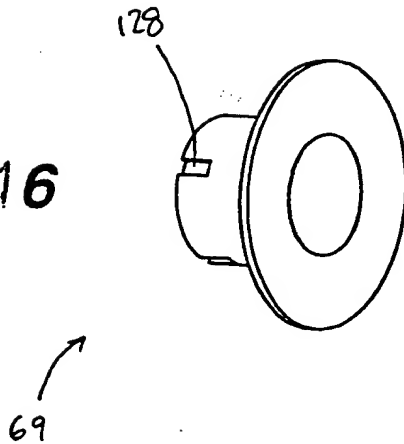


Fig. 16



FORGED STEEL

⊥

10/23

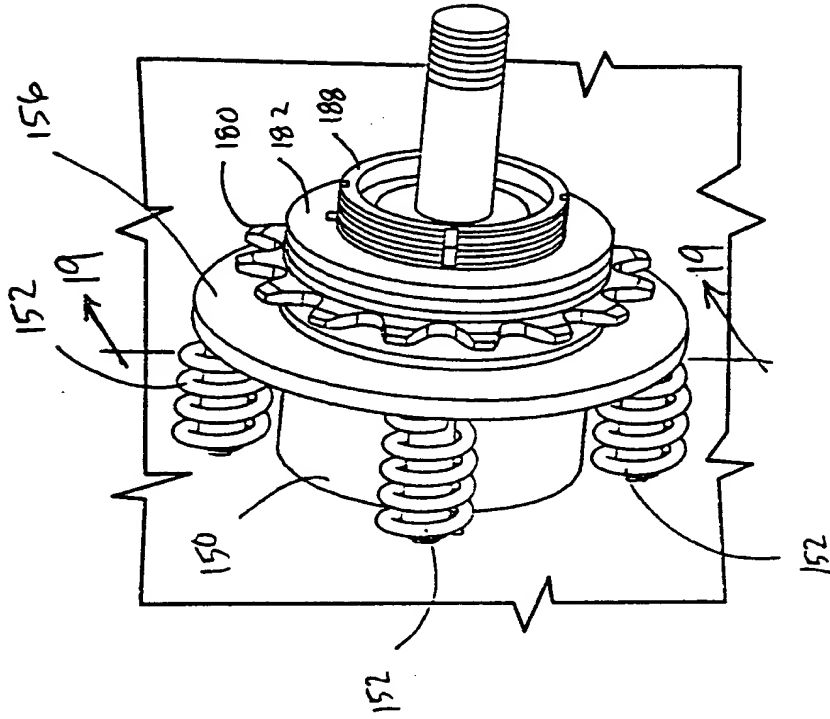


Fig. 18

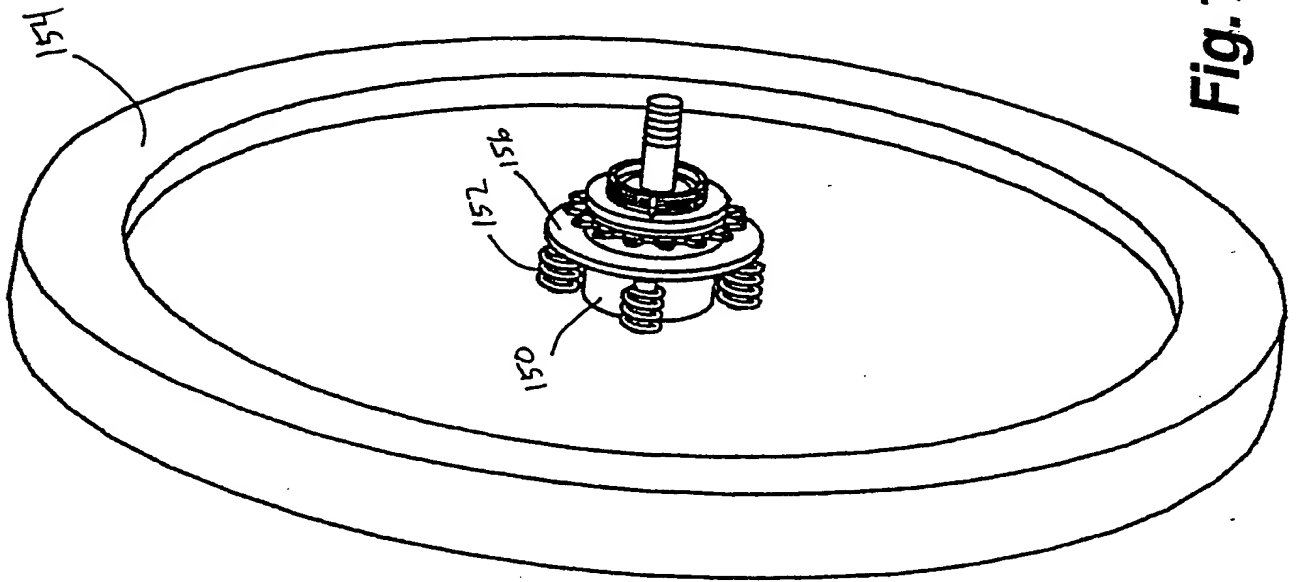


Fig. 17

FORN: 0630650

11/23

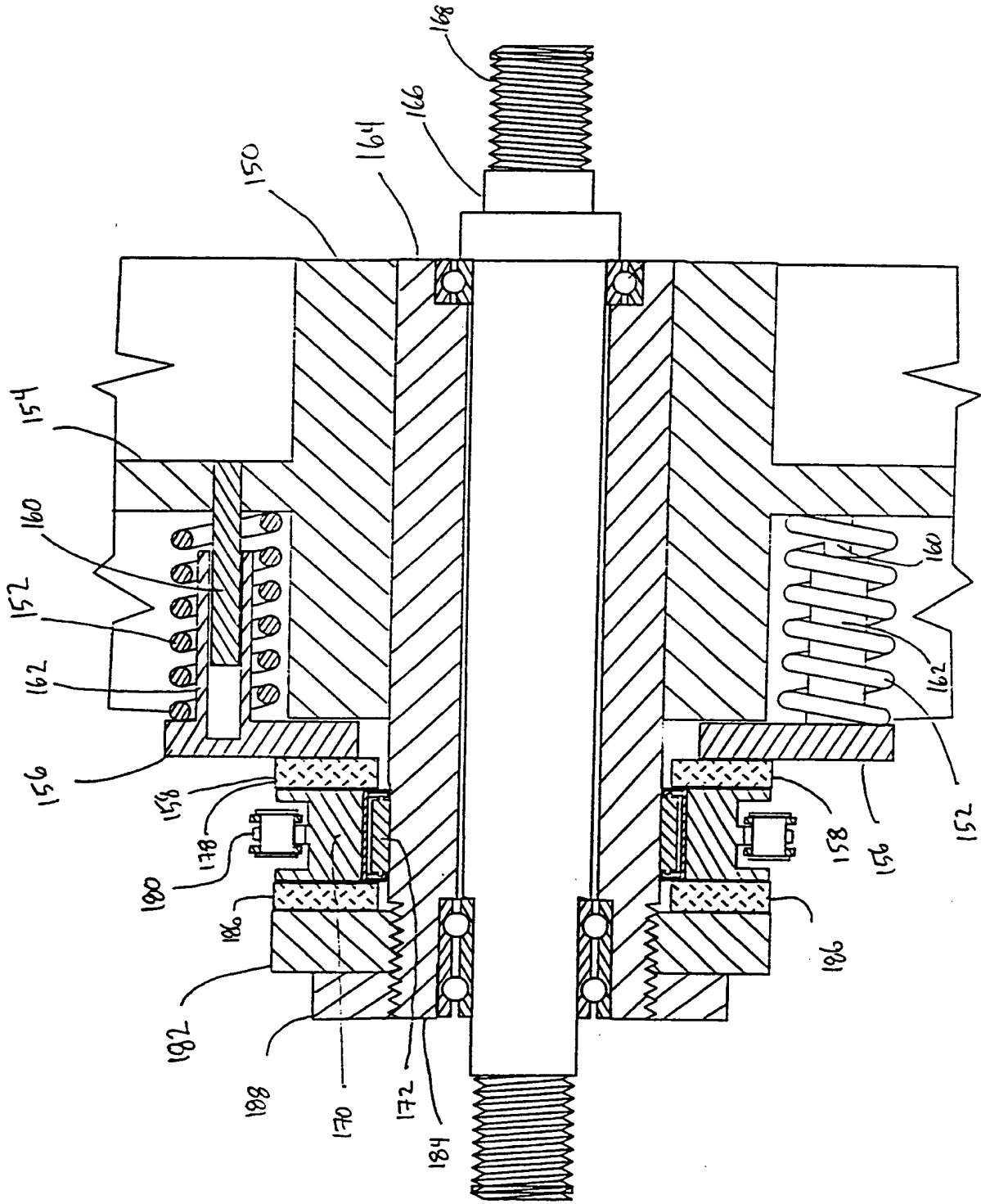


Fig. 19

12/23

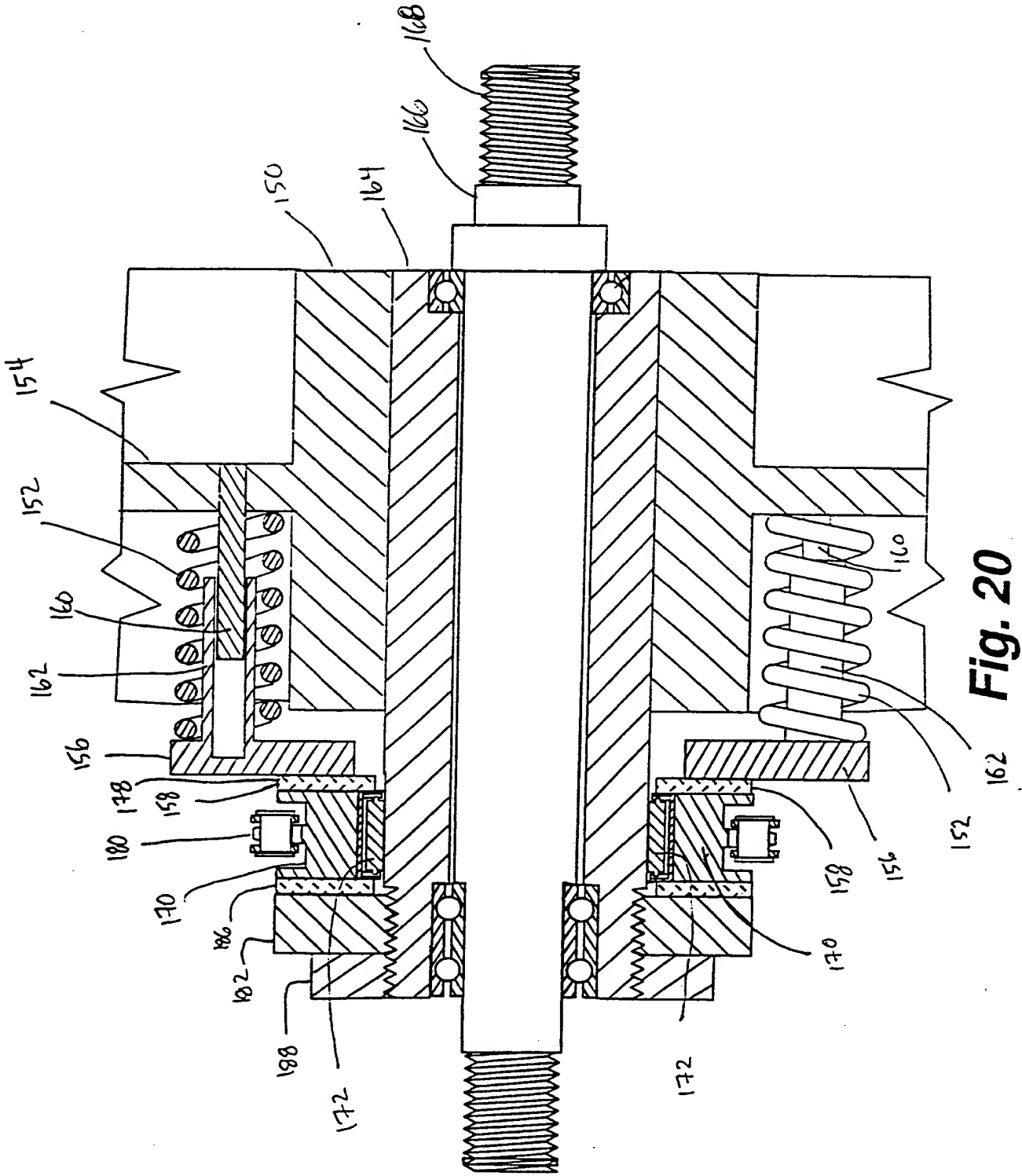


Fig. 20

FIG. 22

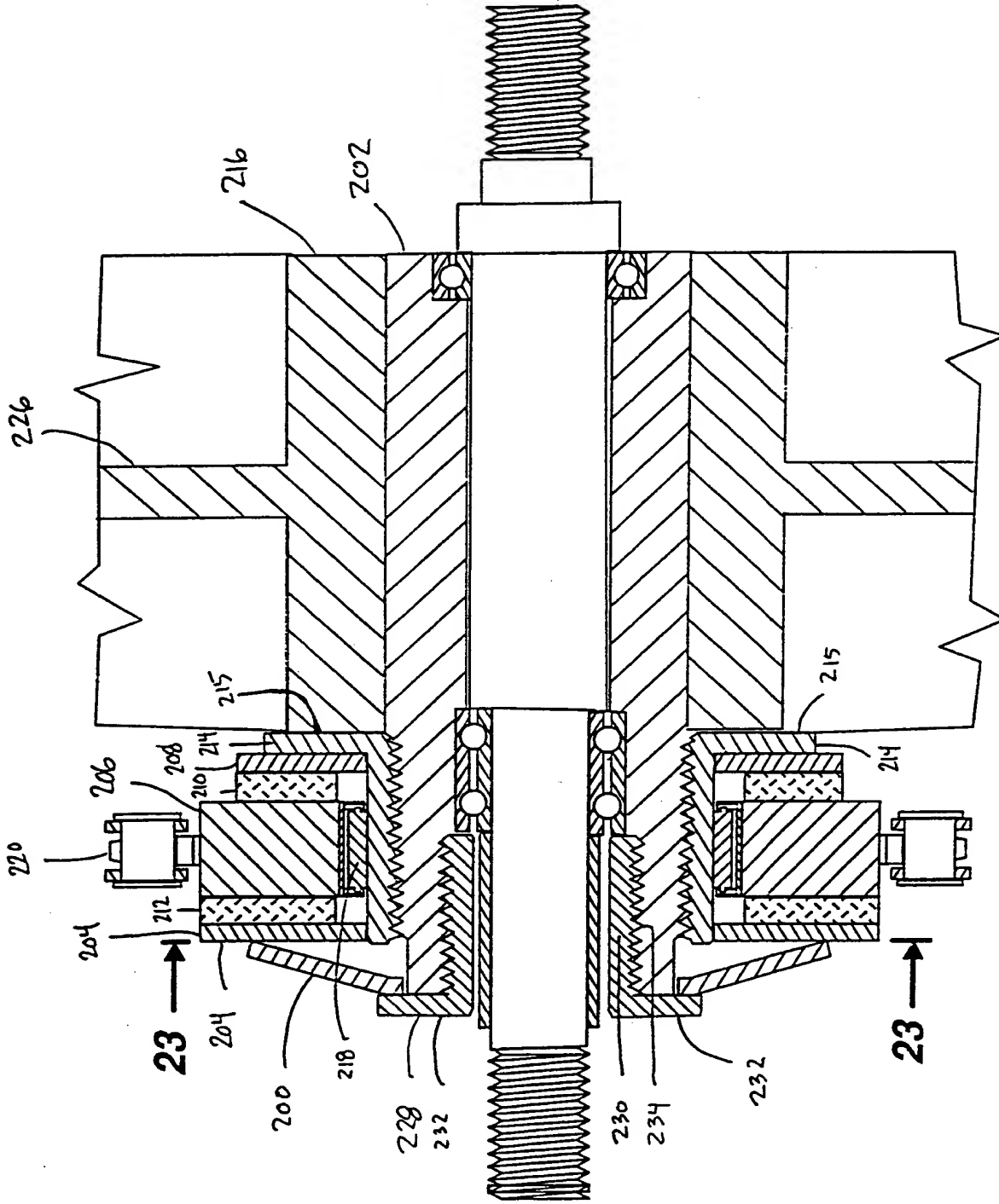


Fig. 22

FOUO# 0230050

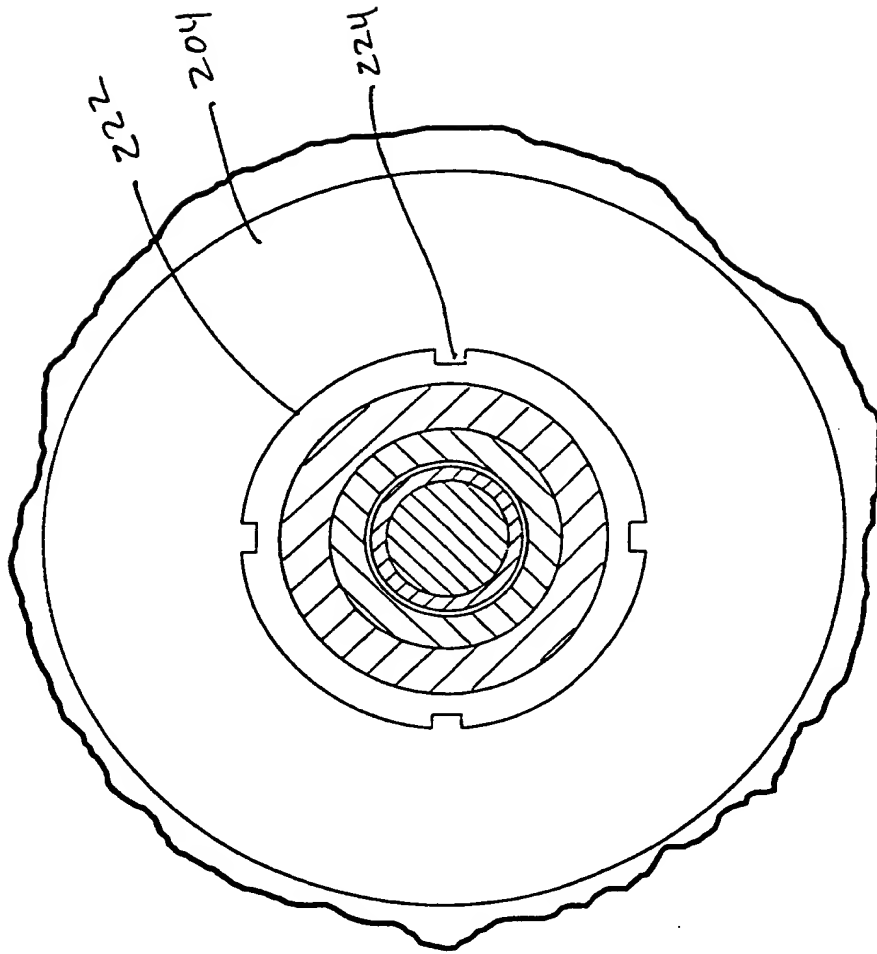


Fig. 23

+

16/23

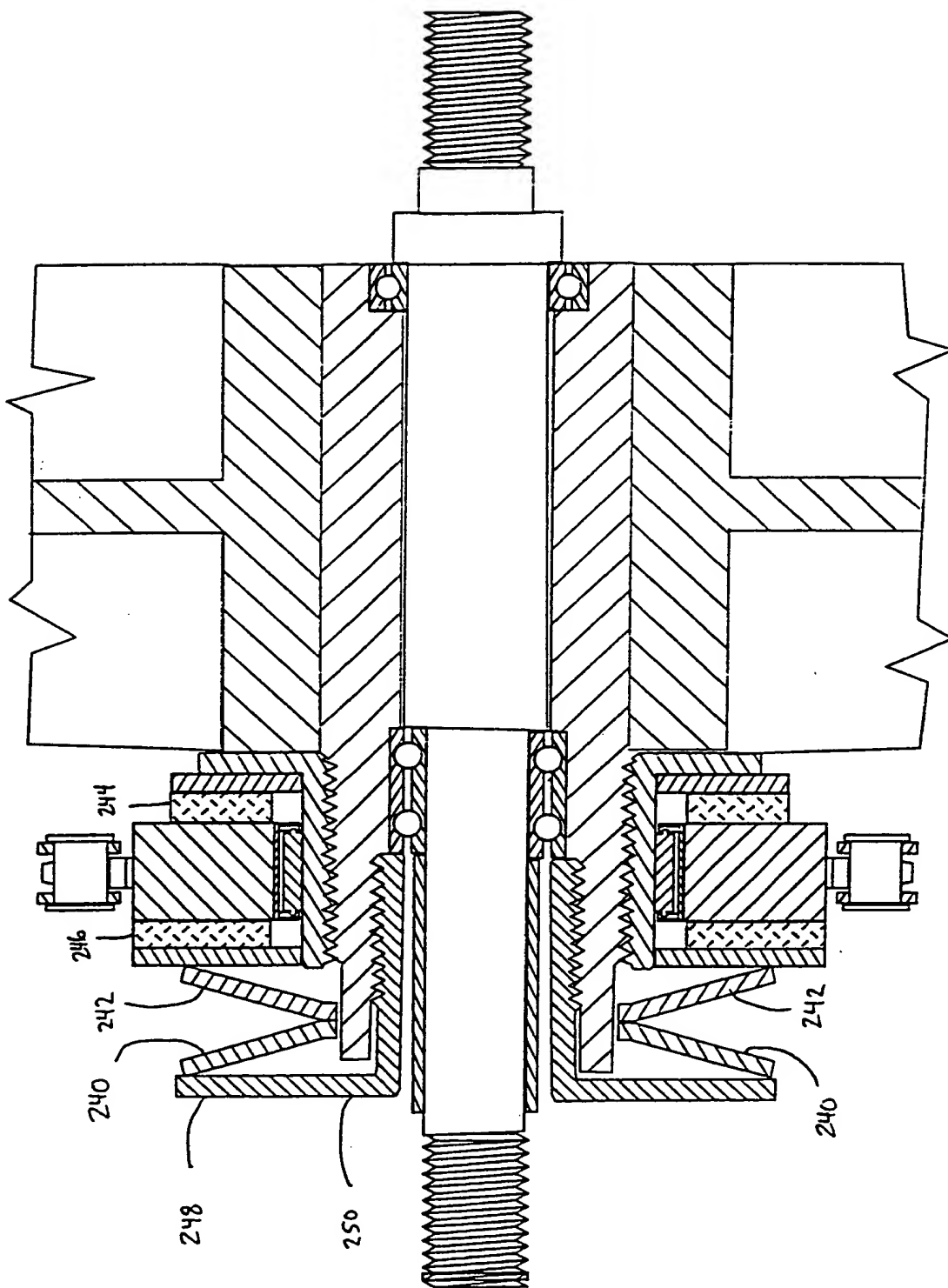


Fig. 24

+

FOOTNOTES



18/23

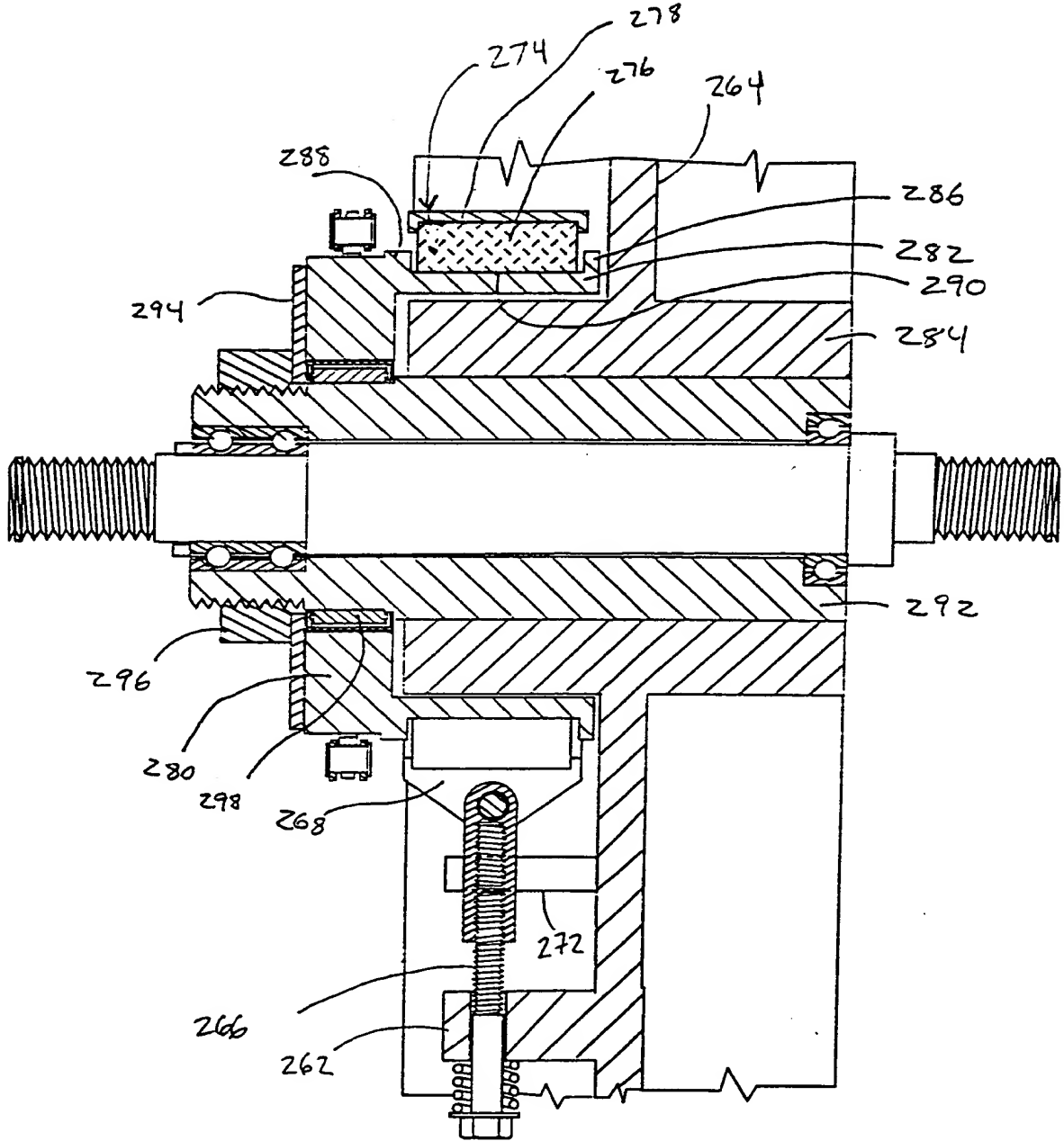


Fig. 26

FILED OCT 30 1960



TABLE OF FIGURES

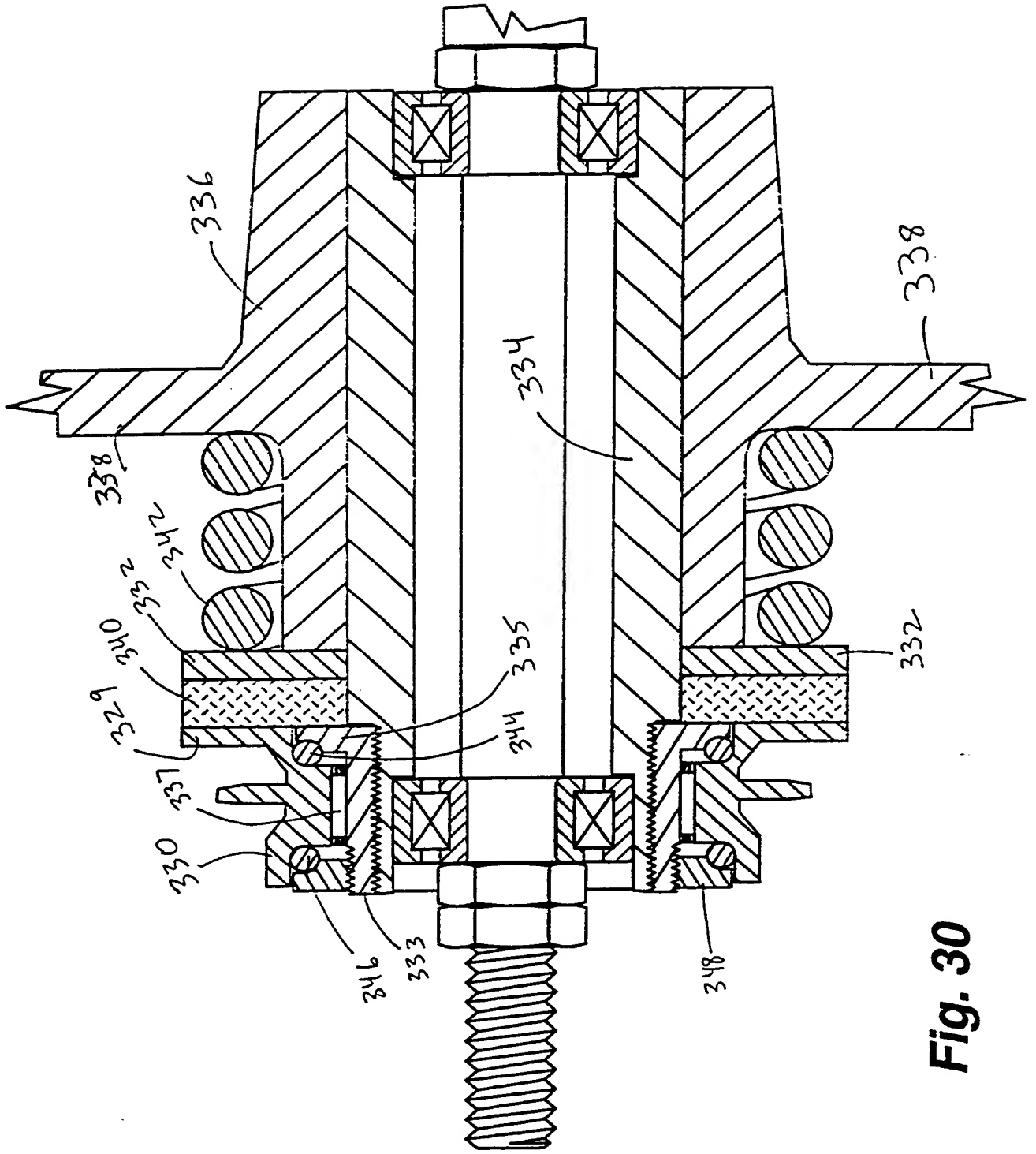


Fig. 30

FIGURE 23

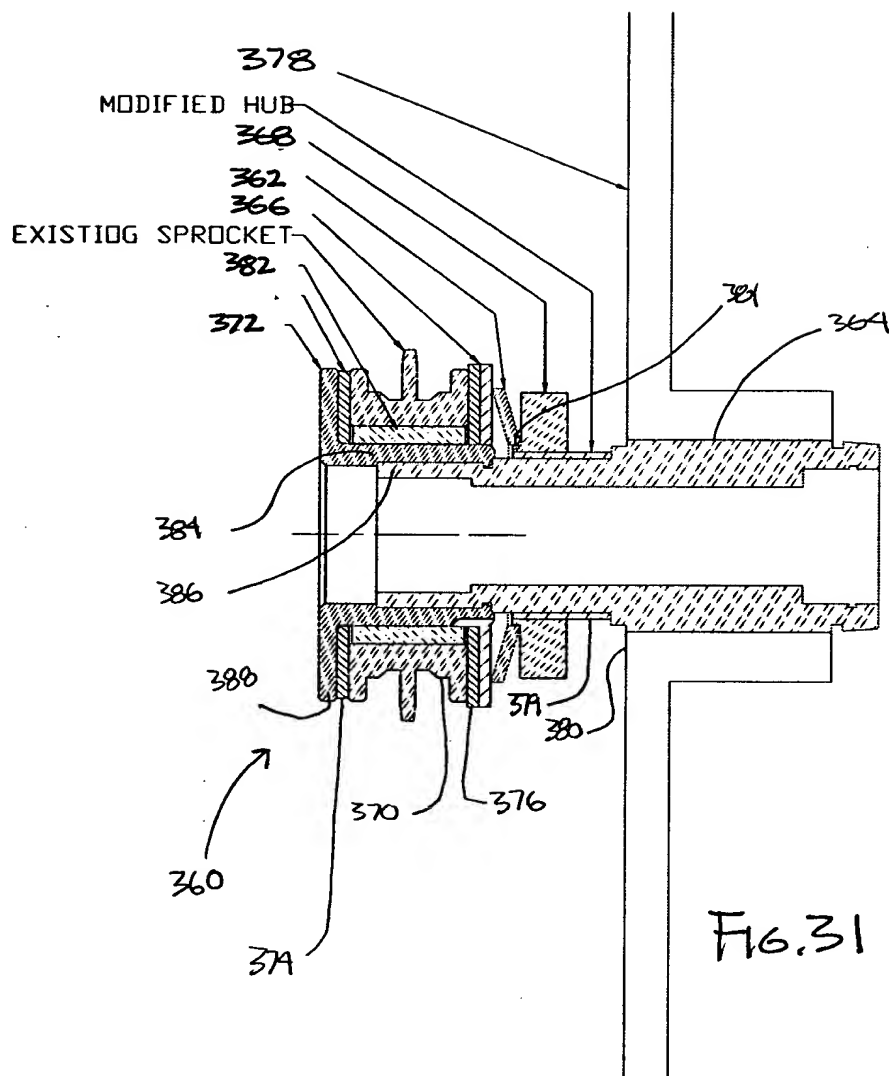


FIG. 31